

MOTEUR / ENGINE FREQUENCY / FREQUENCY	ALTERNATEUR / ALTERNATOR	L1 (mm / inch)	H1 (mm / inch)	SANS RESERVOIR GASOIL / WITHOUT FUEL TANK				AVEC RESERVOIR GASOIL / WITH FUEL TANK							
				MASSE / WEIGHT (kg / lbs) +/- 5%		COG (mm / inch) A vide / Dry		COG (mm / inch) OdM / Wet		MASSE / WEIGHT (kg / lbs) +/- 5%		COG (mm / inch) A vide / Dry		COG (mm / inch) OdM / Wet	
				A vide / Dry	OdM / Wet	CG Horizontal	CG Vertical	CG Horizontal	CG Vertical	A vide / Dry	OdM / Wet	CG Horizontal	CG Vertical	CG Horizontal	CG Vertical
KD45V20 50Hz	KH04830T	4193 / 165.07	458 / 18.03	9600 / 21164	10000 / 22046	2870 / 112.99	868 / 34.17	2821 / 111.06	867 / 34.13	9800 / 21605	10600 / 23369	2862 / 112.67	854 / 33.62	2798 / 110.15	823 / 32.40
	KH05520T	4193 / 165.07	458 / 18.03	9900 / 21826	10300 / 22708	2922 / 115.03	871 / 34.29	2872 / 113.07	870 / 34.25	10100 / 22267	10900 / 24030	2913 / 114.68	858 / 33.77	2847 / 112.08	827 / 32.55
	KH03850T	4075 / 160.43	555 / 21.85	10000 / 22046	10400 / 22928	2887 / 113.66	871 / 34.29	2839 / 111.77	871 / 34.29	10100 / 22267	11000 / 24251	2879 / 113.34	858 / 33.77	2816 / 110.86	828 / 32.59
	KH04590T	4075 / 160.43	555 / 21.85	10400 / 22928	10800 / 23810	2957 / 116.41	873 / 34.37	2908 / 114.48	872 / 34.33	10500 / 23149	11300 / 24912	2948 / 116.06	860 / 33.85	2882 / 113.46	831 / 32.71
	KH04920T	4075 / 160.43	555 / 21.85	10600 / 23369	11000 / 24251	2977 / 117.20	874 / 34.40	2928 / 115.27	873 / 34.37	10700 / 23589	11500 / 25353	2968 / 116.85	861 / 33.89	2902 / 114.25	832 / 32.75

Ce plan vous est remis à titre indicatif et peut être révisé sans préavis.
This drawing is for informational purposes only and maybe changed whitout notice.

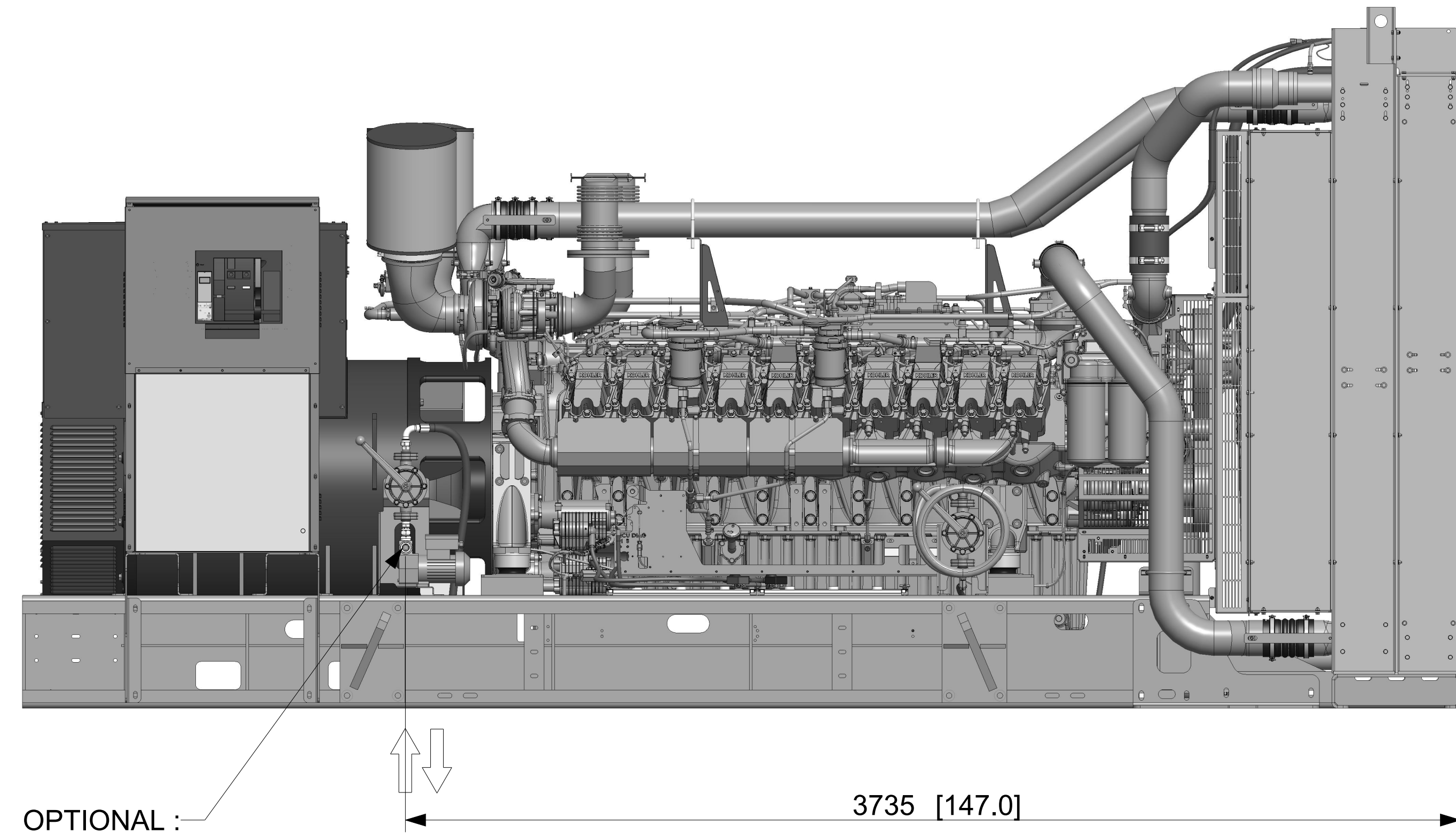
REV	DATE	ON COMPOSITE DWGS, SEE PART NO. FOR REVISION LEVEL	BY	UNLESS OTHERWISE SPECIFIED: 1) DIMENSIONS ARE IN MILLIMETERS 2) TOLERANCES ARE: ISO2768-mS
-	10.04.16	NEW DRAWING	AC	
A	10.13.17	WEIGHT TABLE UPDATED	AC	

FIRST ANGLE PROJECTION	DATE	TITLE
ASCOET_C	10.04.16	DIMENSION PRINT, KD45V20
	10.04.16	
	10.04.16	

SCALE	SHEET
7:100	1 of 2

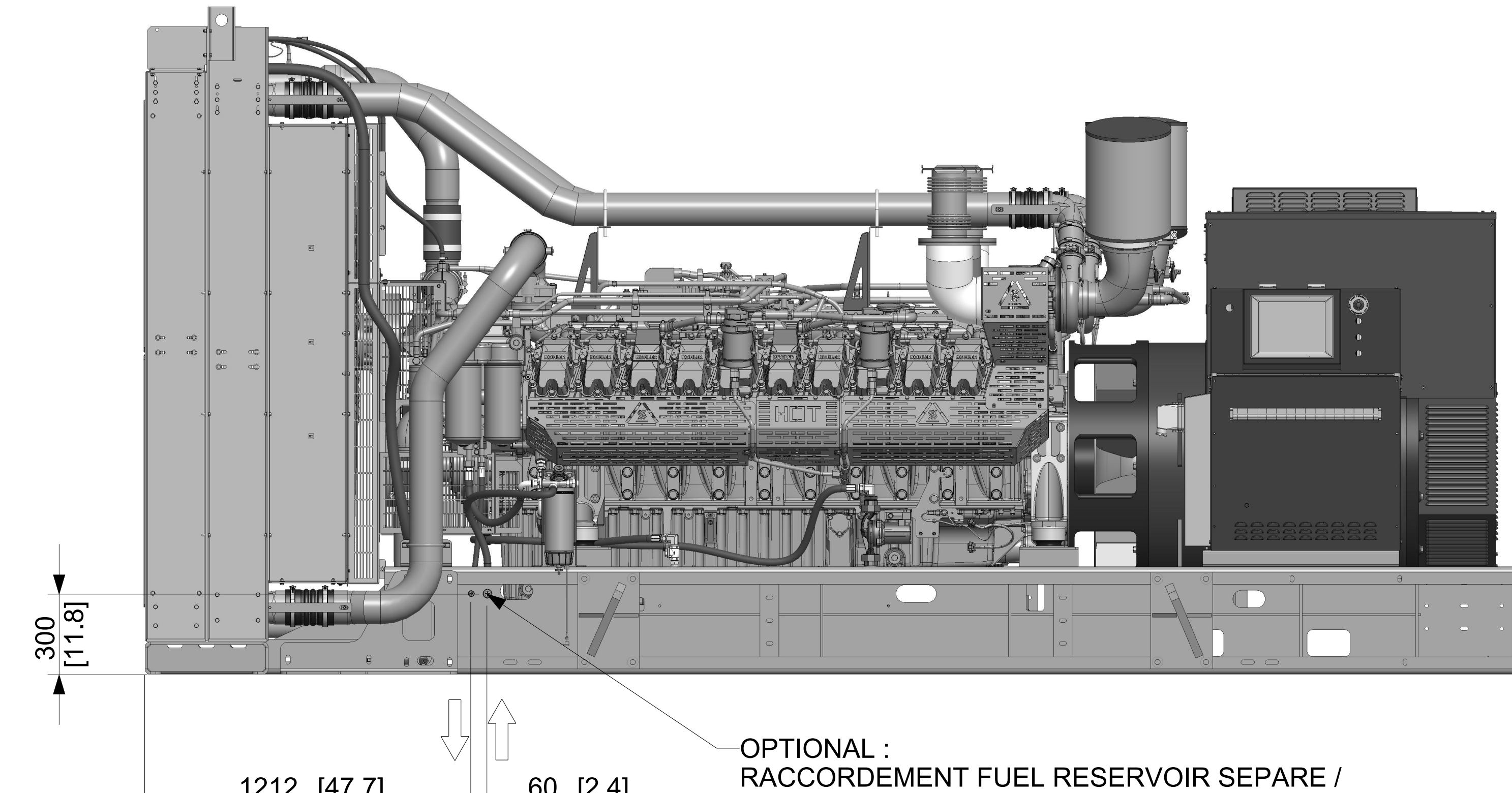
DWG NO.	30001506701	A0
---------	-------------	----

OPTIONAL :
REPLISSAGE AUTO RESERVOIR FUEL / FUEL TANK AUTO FILLING



OPTIONAL :
REPLISSAGE AUTO RESERVOIR FUEL /
FUEL TANK AUTO FILLING
- Aspiration / Inlet 3/4" BSPP
- Retour / Outlet 1"1/4 BSPP

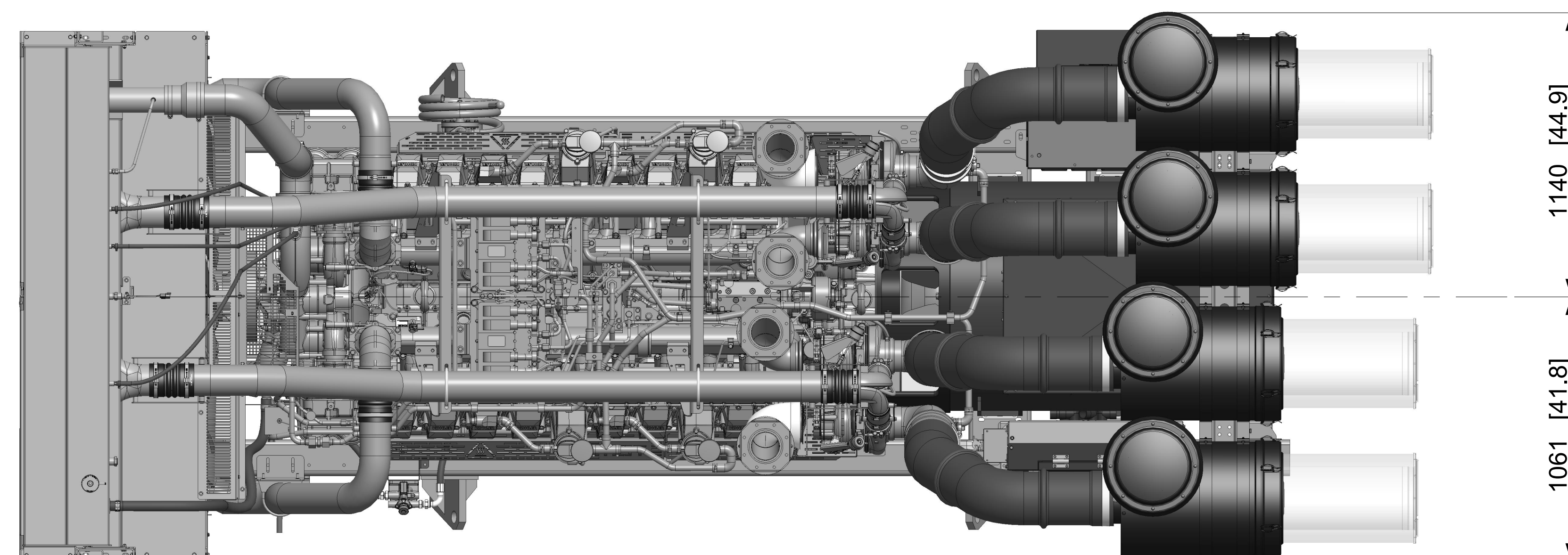
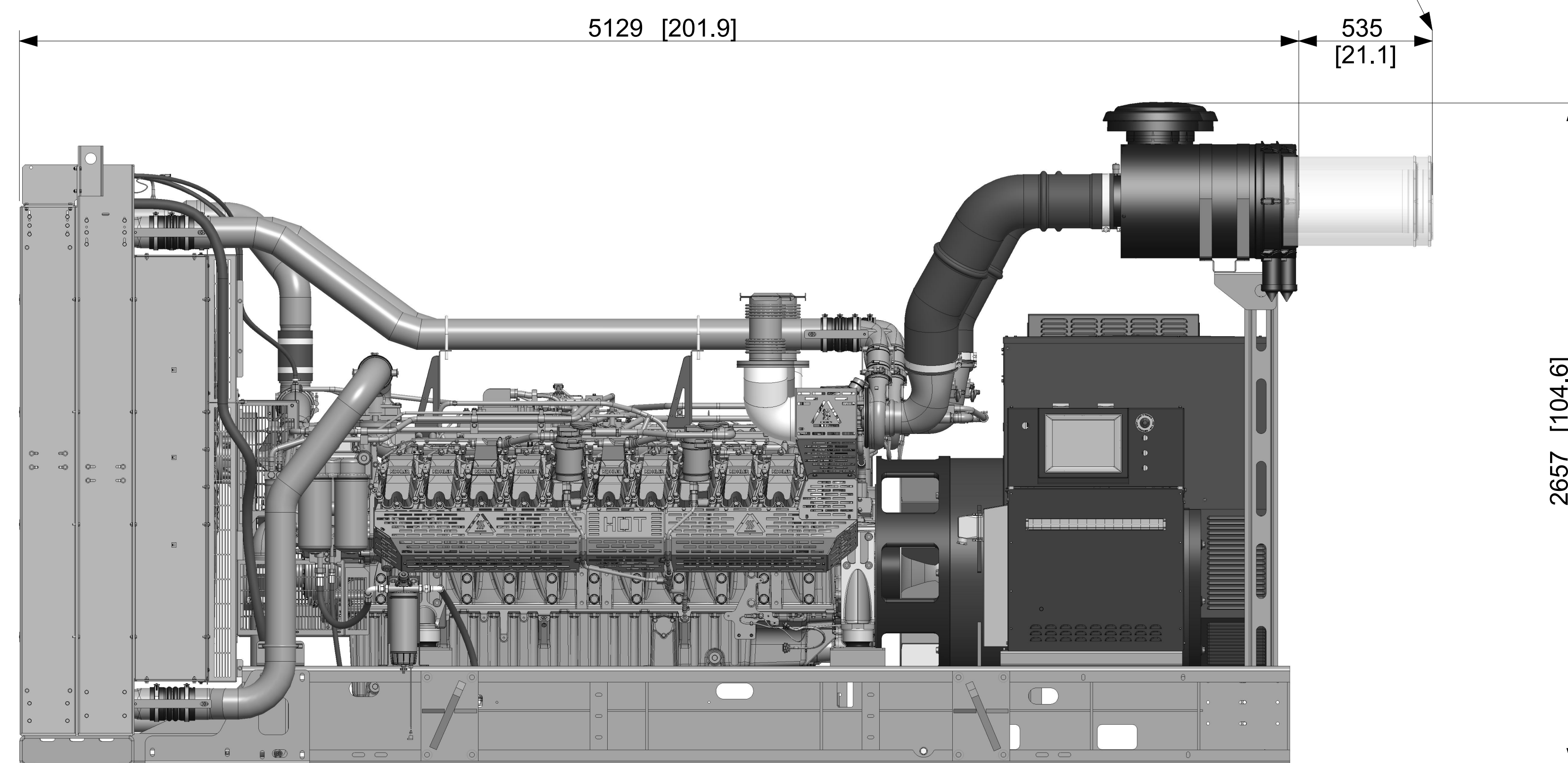
OPTIONAL :
RACCORDEMENT FUEL RESERVOIR SEPARÉ / SEPARATED TANK FUEL CONNECTION



OPTIONAL :
RACCORDEMENT FUEL RESERVOIR SEPARÉ /
SEPARATED TANK FUEL CONNECTION
- Aspiration / Inlet 3/4" BSPP
- Retour / Outlet 3/8" BSPP

OPTIONAL :
FILTRES A AIR AMBIANCE POUSSIEREUSE / HEAVY DUTY AIR FILTERS

DEMONTAGE CARTOUCHE /
SERVICE CLEARANCE



Ce plan vous est remis à titre indicatif et peut être révisé sans préavis.
This drawing is for informational purposes only and maybe changed whitout notice.

REV	DATE	ON COMPOSITE DWGS, SEE PART NO. FOR REVISION LEVEL	BY	UNLESS OTHERWISE SPECIFIED, 1) DIMENSIONS ARE IN MILLIMETERS 2) TOLERANCES ARE: ISO2768-mk
-	10.04.16	NEW DRAWING	AC	
A	10.13.17	WEIGHT TABLE UPDATED	AC	

FIRST ANGLE PROJECTION	DATE
ASCOET_C	10.04.16
	10.04.16
	10.04.16

TITLE	SCALE	SHEET
DIMENSION PRINT, KD45V20	7:100	2 of 2

DWG NO.	30001506701	A0
---------	-------------	----