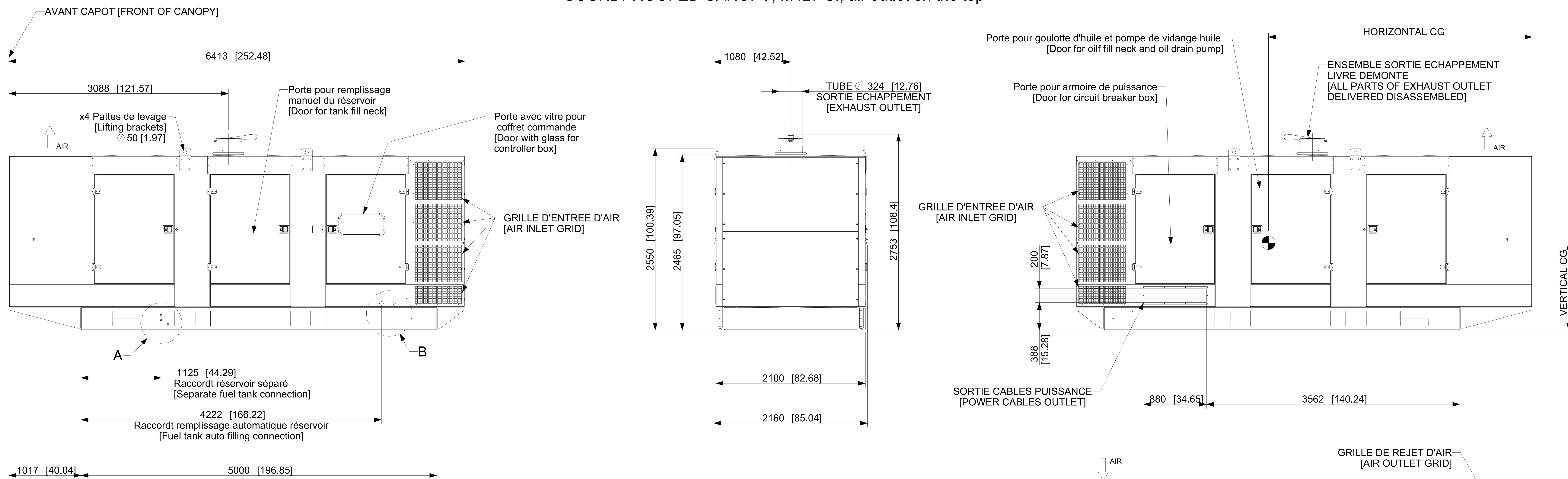
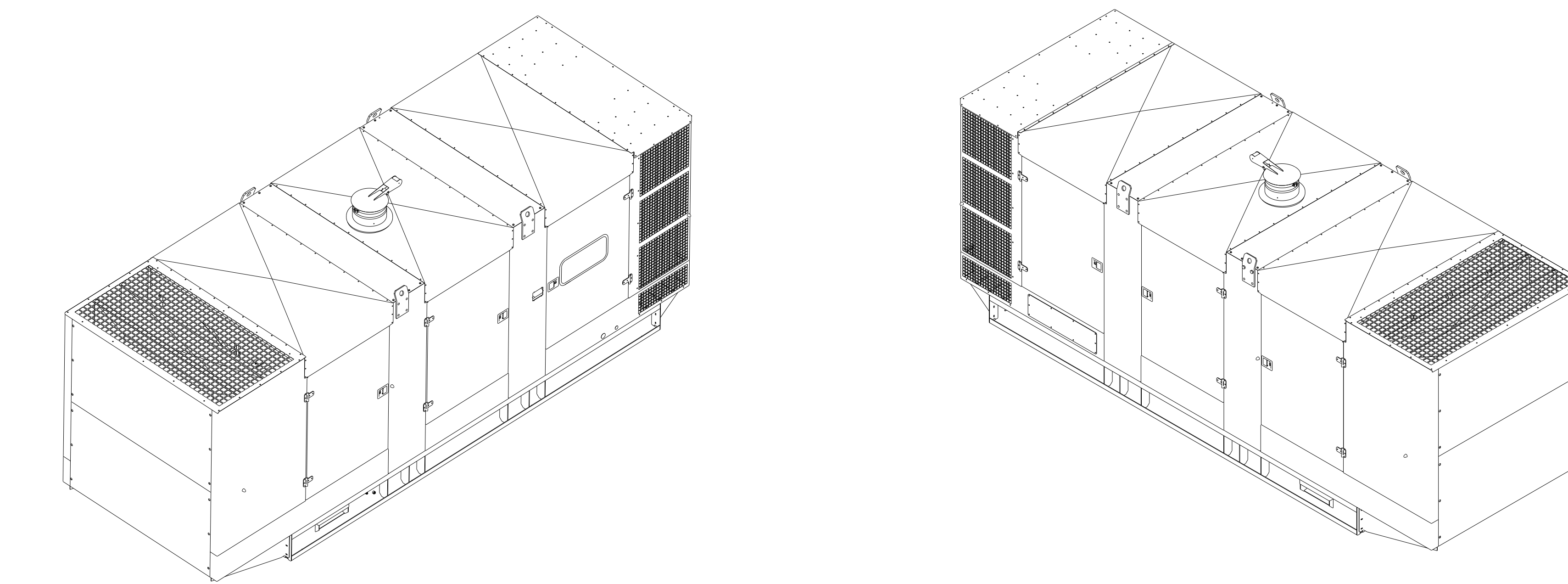
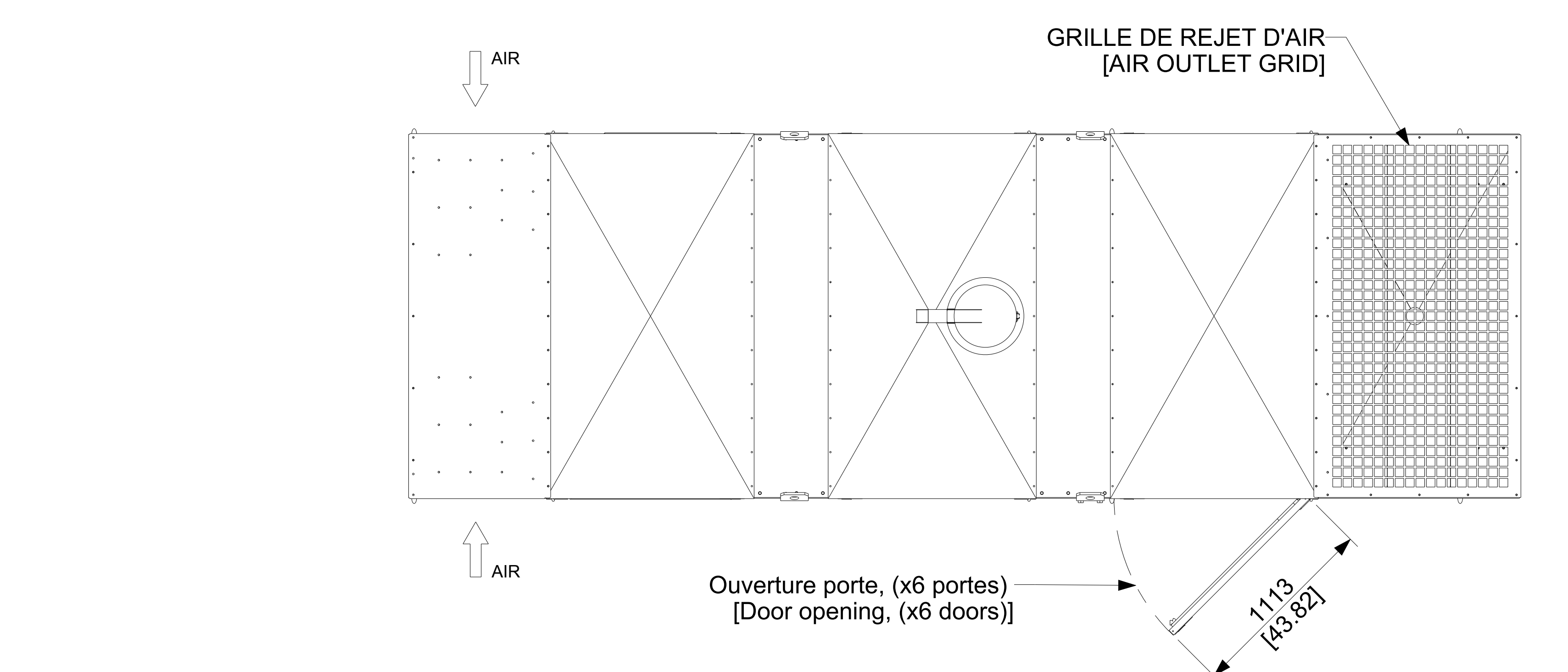
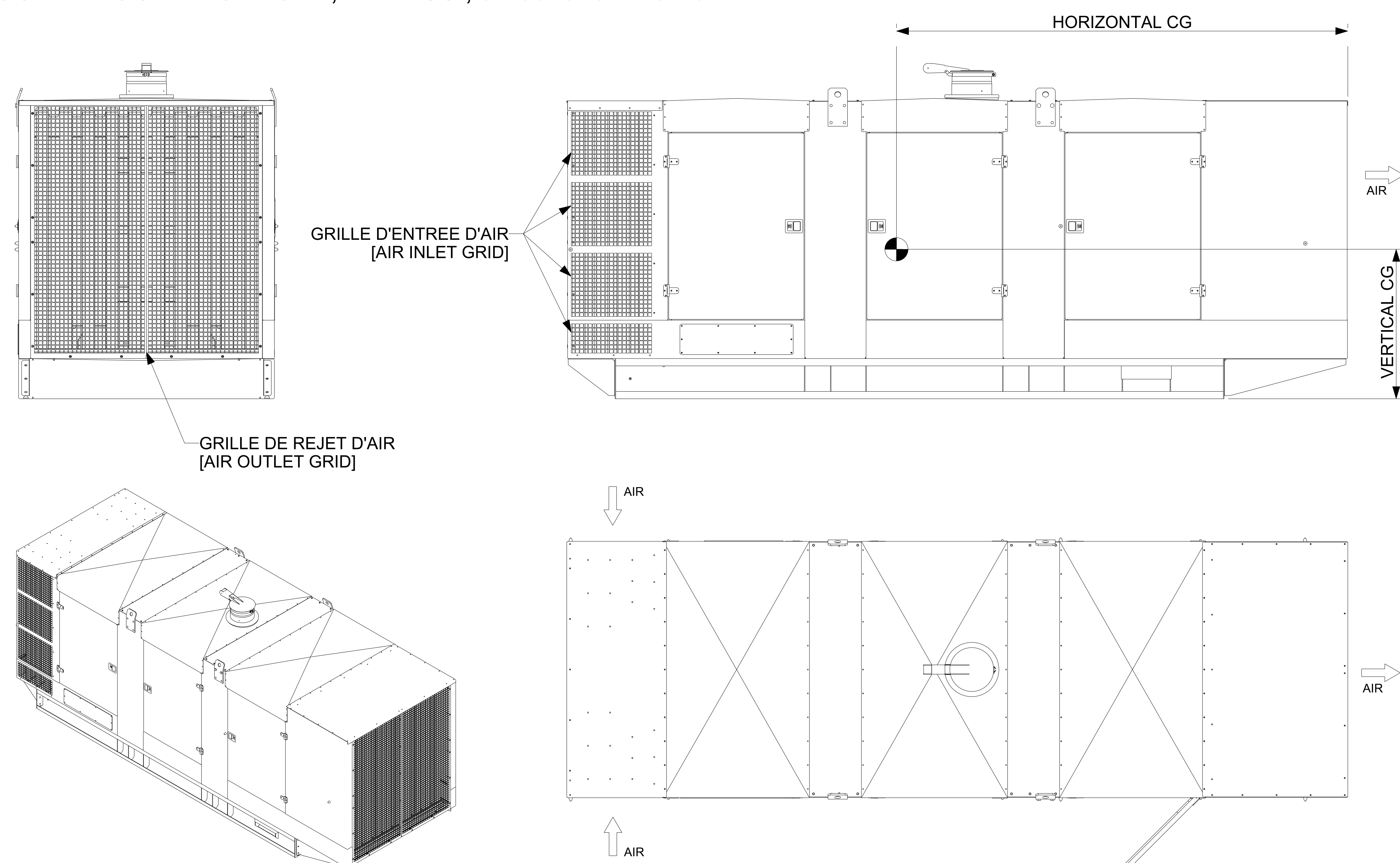


CAPOT INSONORISE, M427 SI, rejet d'air vers le haut  
SOUNDPROOFED CANOPY, M427 SI, air outlet on the top



CAPOT INSONORISE, M427 SSI, rejet d'air vers l'avant  
SOUNDPROOFED CANOPY, M427 SSI, air outlet on the front



- Dimensions entre [ ] sont en Inch  
Dimensions in [ ] are english equivalents

Voir Feuille 2 pour / See Sheet 2 for  
- Tableau des masses / Table of weights  
- DETAIL A  
- DETAIL B

- Empreinte au sol groupe / Genset ground footprint
- Option gaine de rejet d'air / Optional air outlet duct
- Option bac de rétention / Optional retention bund
- Encombrement transport / Overall dimensions for transport

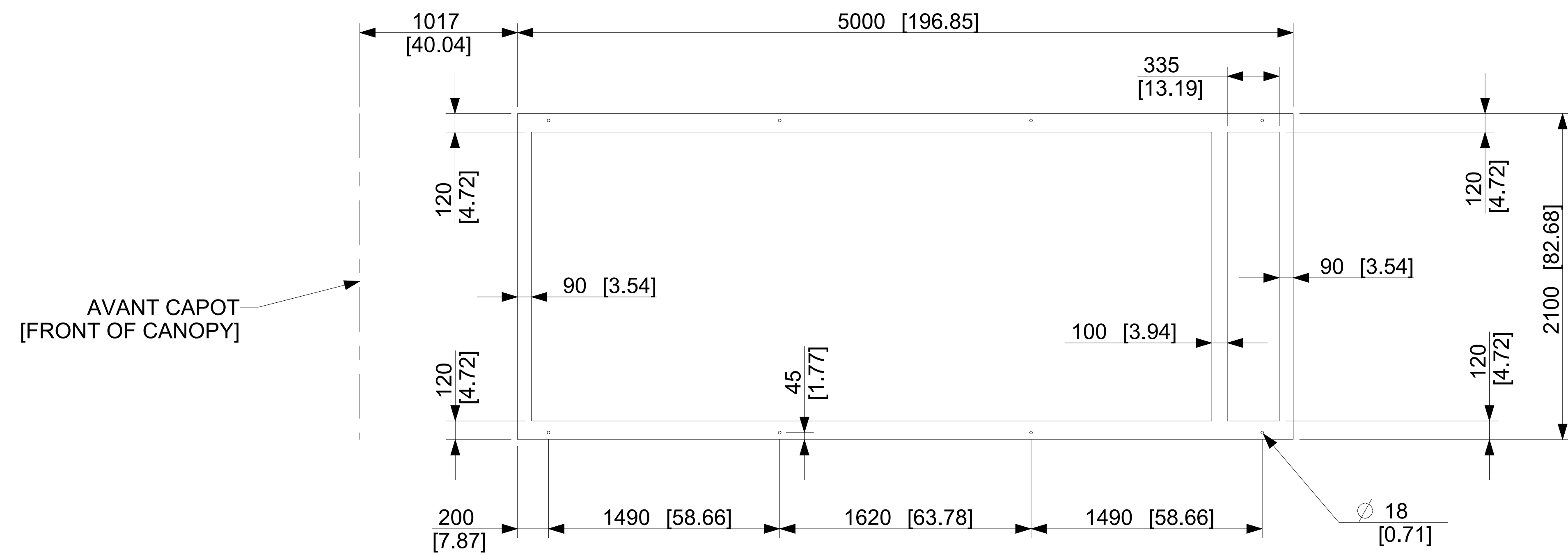
Ce plan vous est remis à titre indicatif et peut-être révisé sans préavis.  
This drawing is for informational purposes only and maybe changed without notice.

REV	DATE	ON COMPOSITE DWGS. SEE PART NO. FOR REVISION LEVEL	BY	DO NOT SCALE. REFERENCE THE MODEL FOR ALL UNSPECIFIED DIMENSIONS
-	10.17.16	Création document (New drawing)	LLG	UNLESS OTHERWISE SPECIFIED - 1) DIMENSIONS ARE IN MILLIMETERS 2) TOLERANCES ARE: ISO2768-mK
A	03.06.17	M427 SSI ajouté sur(added on) SHEET 1 - Tableau des masses ajout sur(added table of weights on) SHEET 2	LLG	
B	04.11.18	Ajout(added) KD1100-F/E & KH03860T et encombrement transport LLG sur (overall dimensions for transport on) SHEET 2	LLG	

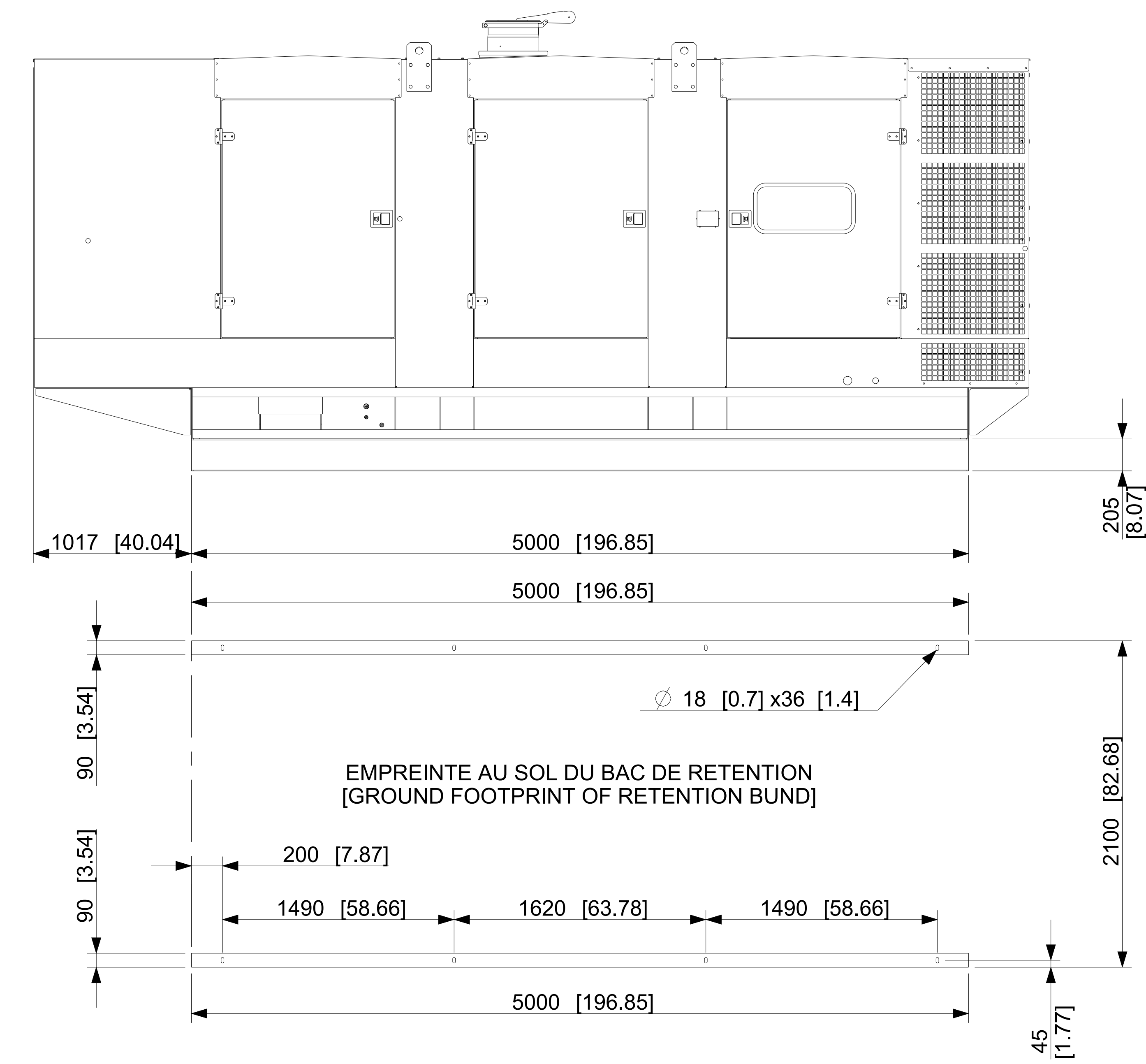
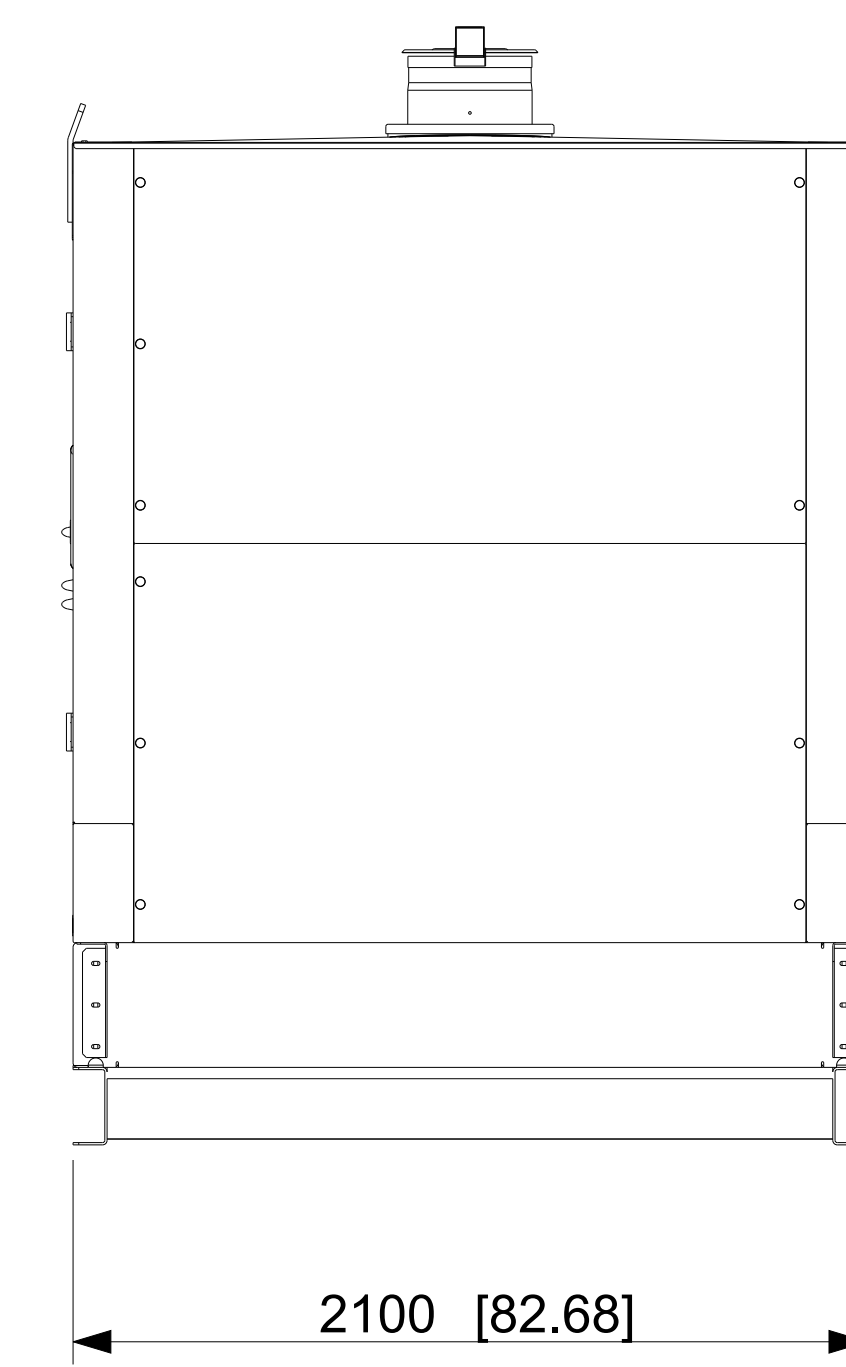
  

APPROVALS	DATE	TITLE	SCALE	SHEET
DRW: L. LE GUYADER	10.17.16	<b>DIMENSION PRINT, M427</b>	1:20	1 of 2
APPROVED:		CAD NO: 30001508201		REV: B
		DWG NO: 30001508201		SIZE: A0

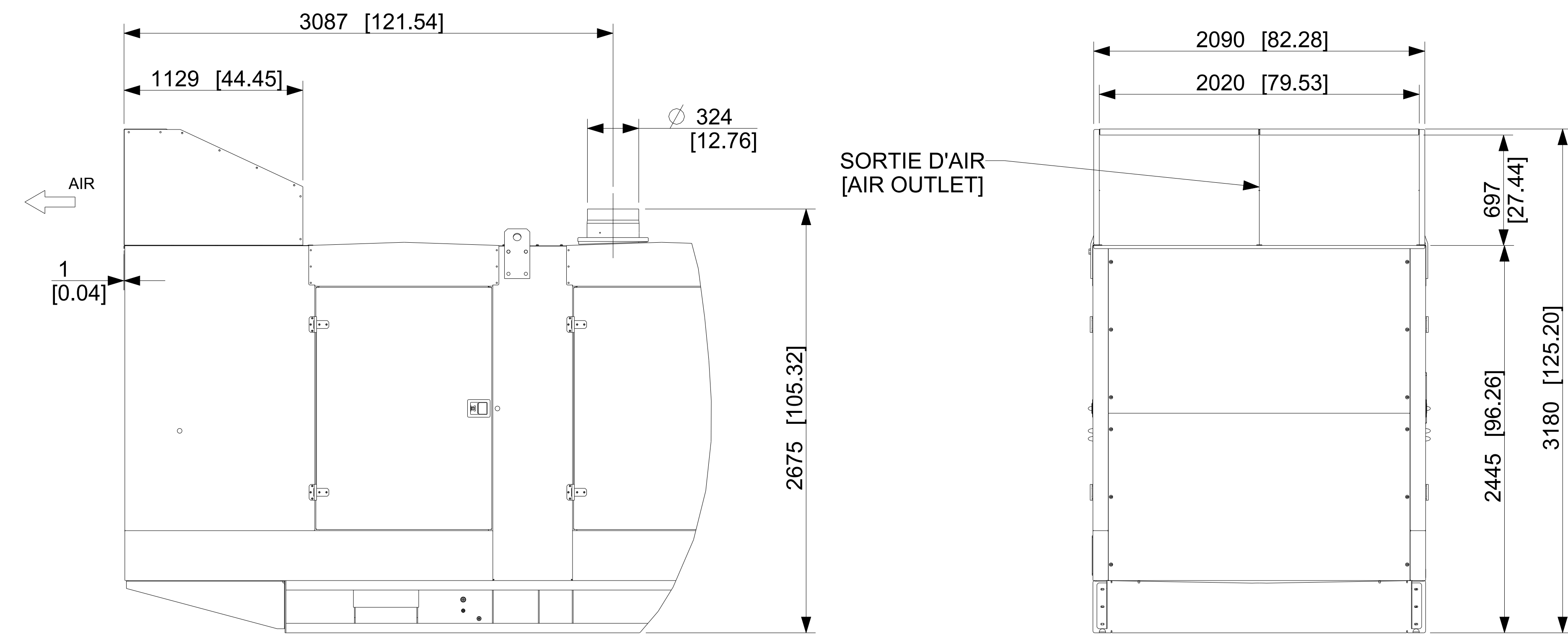
**EMPREINTE AU SOL DU GROUPE  
[GENSET GROUND FOOTPRINT]**



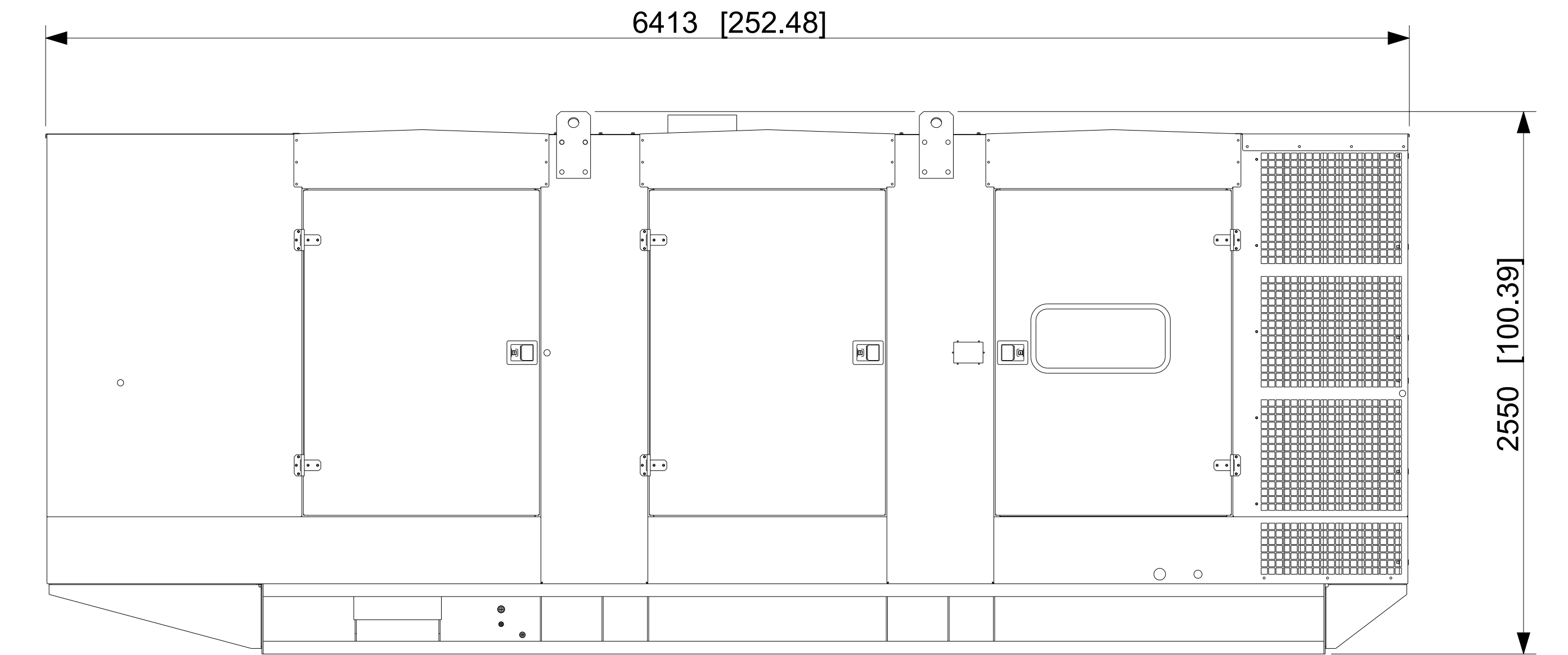
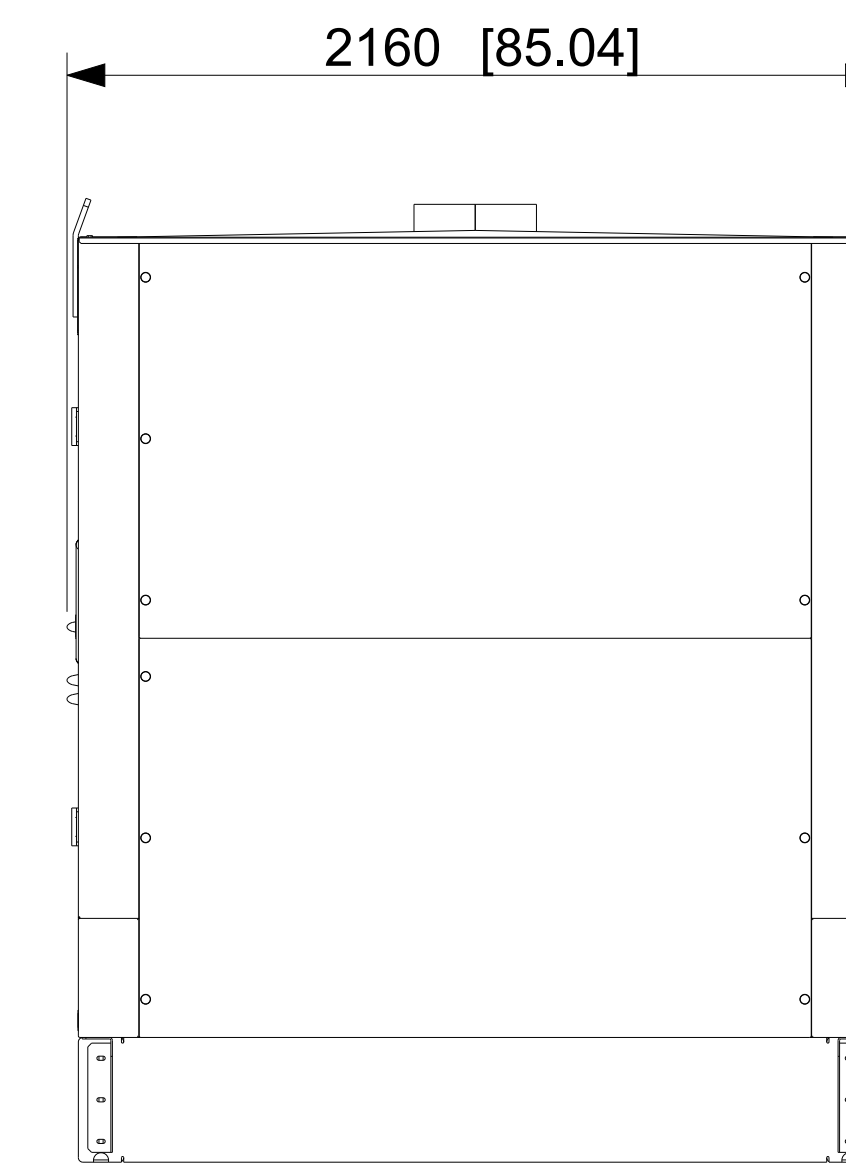
**OPTION: BAC DE RETENTION  
[OPTIONAL: RETENTION BUND]**  
MASSE [WEIGHT] : 450 Kg / 992 lbs



**OPTION: GAINE REJET D'AIR POUR M427 SI  
[OPTIONAL: AIR OUTLET DUCT FOR M427 SI]**  
MASSE [WEIGHT] : 80 Kg / 176 lbs

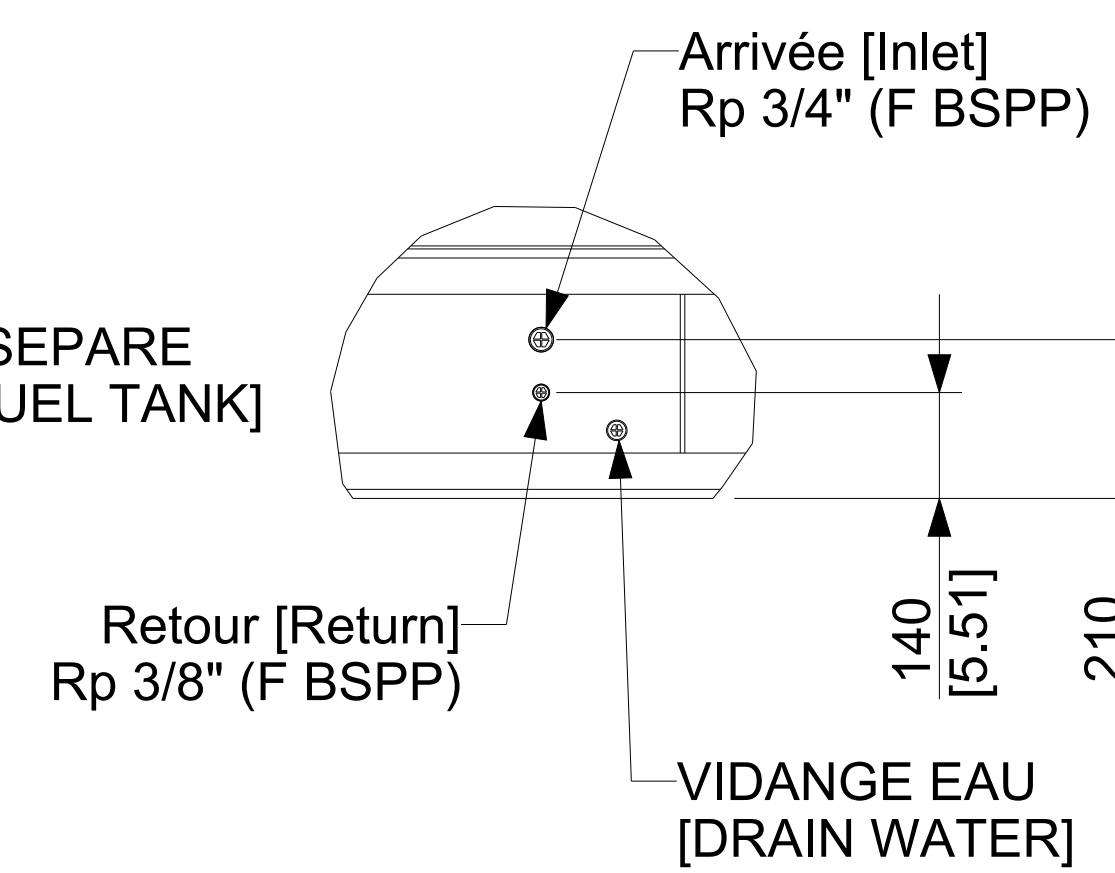


**ENCOMBREMENT GROUPE POUR TRANSPORT  
[GENSET OVERALL DIMENSIONS FOR TRANSPORT]**  
MASSE [WEIGHT] : A Vide [DRY] + 210 Kg / 463 lbs



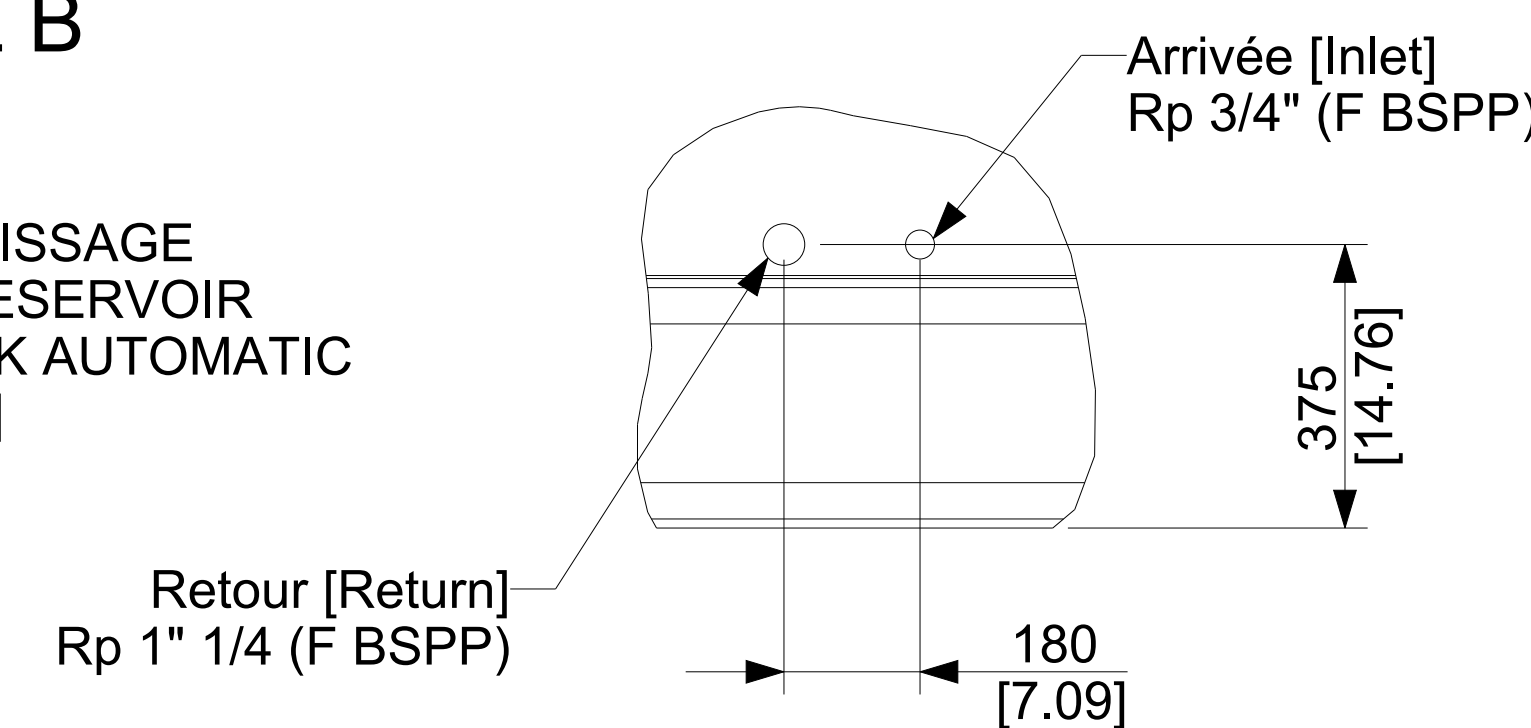
**DETAIL A  
(1:10)**

OPTION: RESERVOIR SEPARÉ  
[OPTIONAL: SEPARATE FUEL TANK]



**DETAIL B  
(1:10)**

OPTION: REMPLISSAGE AUTOMATIQUE RESERVOIR  
[OPTIONAL: FUEL TANK AUTOMATIC FILLING]



GROUPE GENSET	MOTEUR ENGINE	ALTERNATEUR ALTERNATOR	CAPOT / CANOPY M427 SI				CAPOT / CANOPY M427 SSI			
			MASSE / WEIGHT (kg/lbs) - ± 5%		CdG / COG (mm / Inch)		MASSE / WEIGHT (kg/lbs) - ± 5%		CdG / COG (mm / Inch)	
			A Vide / Dry	OdM / Wet	Horizontal CG	Vertical CG	A Vide / Dry	OdM / Wet	Horizontal CG	Vertical CG
KD800-E / KD800-F	KD27V12	KH03544T	8300 / 18298	9400 / 20723	3560 / 140.2	950 / 37.4	8500 / 18739	9600 / 21164	3510 / 138.2	950 / 37.4
KD800-E / KD800-F		KH02970T	8400 / 18519	9600 / 21164	3570 / 140.6	950 / 37.4	8600 / 18960	9700 / 21385	3520 / 138.6	950 / 37.4
KD900-E / KD900-F		KH03450T	8700 / 19180	9800 / 21605	3600 / 141.7	950 / 37.4	8800 / 19401	9900 / 21826	3550 / 139.7	950 / 37.4
KD1000-E / KD1000-F		KH03450T	8800 / 19401	9900 / 21826	3570 / 140.6	960 / 37.8	8900 / 19621	10100 / 2267	3530 / 139.0	970 / 38.2
KD1000-E / KD1000-F		KH04070T	9100 / 20062	10200 / 22487	3610 / 142.1	960 / 37.8	9200 / 20283	10300 / 22708	3570 / 140.6	960 / 37.8
KD1100-F		KH03860T	9000 / 19842	10100 / 22267	3600 / 141.7	960 / 37.8	9100 / 20062	10200 / 22487	3550 / 139.8	960 / 37.8
KD1100-F		KH04830T	9400 / 20723	10500 / 23149	3660 / 144.1	960 / 37.8	9500 / 20944	10600 / 23369	3620 / 142.5	960 / 37.8
KD1100-E		KH03860T	8900 / 19621	10100 / 22267	3610 / 142.1	950 / 37.4	9100 / 20062	10200 / 22487	3560 / 140.2	950 / 37.4
KD1100-E		KH04070T	9000 / 19842	10200 / 22928	3620 / 142.5	950 / 37.4	9200 / 20283	10300 / 22708	3570 / 140.6	950 / 37.4
KD1100-E		KH04830T	9300 / 20503	10400 / 22928	3670 / 144.5	950 / 37.4	9500 / 20944	10600 / 23369	3620 / 142.5	950 / 37.4
KD800-UE / KD800-UF		KH02970T	8500 / 18739	9600 / 21164	3550 / 139.8	950 / 37.4	8700 / 19180	9800 / 21605	3500 / 137.8	960 / 37.8
KD800-UE / KD800-UF		KH03450T	8700 / 19180	9900 / 21826	3560 / 140.9	950 / 37.4	8900 / 19261	10000 / 22046	3530 / 139.0	950 / 37.4
KD900-UE / KD900-UF		KH04070T	9000 / 19842	10200 / 22487	3620 / 142.5	950 / 37.4	9200 / 20283	10300 / 22708	3570 / 140.6	950 / 37.4
KD1000-UE / KD1000-UF		KH04070T	9100 / 20062	10300 / 22708	3600 / 141.7	960 / 37.8	9300 / 20503	10400 / 22928	3550 / 139.8	970 / 38.2
KD1000-UE / KD1000-UF		KH04830T	9400 / 20723	10600 / 23369	3650 / 143.7	960 / 37.8	9600 / 21164	10700 / 23589	3600 / 141.7	960 / 37.8

- Dimensions entre [ ] sont en Inch  
Dimensions in [ ] are english equivalents

Ce plan vous est remis à titre indicatif et peut-être révisé sans préavis.  
This drawing is for informational purposes only and maybe changed without notice.

REV	DATE	ON COMPOSITE DWGS. SEE PART NO. FOR REVISION LEVEL	BY	DO NOT SCALE. REFERENCE THE MODEL FOR ALL UNSPECIFIED DIMENSIONS
-	10.17.16	Création document (New drawing)	LLG	UNLESS OTHERWISE SPECIFIED - 1) DIMENSIONS ARE IN MILLIMETERS 2) TOLERANCES ARE: ISO2768-MS
A	03.06.17	M427 SSI ajouté sur(added on) SHEET 1 - Tableau des masses ajouté sur(added table of weights on) SHEET 2	LLG	<b>KOHLER</b> <b>SDMO</b> SDMO Industries 270 rue de Kerenem - 29490 Guipavas CEX 42047 - 29801 Brest Cedex 9 - France
B	04.11.18	Ajout(added) KD1100-F/E & KH03860T et encombrement transport LLG sur (overall dimensions for transport on) SHEET 2	LLG	THIS DRAWING IS UNDER PROPERTY OF THE COMPANY. IT CANNOT BE PRINTED, USED OR COMMUNICATED WITHOUT ITS AUTHORIZATION.

APPROVALS	DATE	TITLE	SCALE	SHEET
LLG	10.17.16	<b>DIMENSION PRINT, M427</b>	1:20	2 of 2
LLG		CAD NO: 30001508201		REV: B
		DWG NO: 30001508201		SIZE: A0