

DATASHEET ALTERNATOR

Alternator ref. KH00404T
Alternator type KH00404TO4N



-GENERAL CHARACTERISTICS-

Voltage Type (V)	240 Mono	Altitude (m)	0-1000
Number of Phase	Single phase	AVR Regulation	Yes
Number of pole	4	Indication of protection	IP23

Capacity for maintaining short circuit at 3 In for 10 s	Yes
Winding type	Standard
Winding pitch	2/3

Efficiency & Power

Frequency (Hz)	50 Hz	Nominal voltage (V)	240
----------------	-------	---------------------	-----

	Class H				Class F	Class B
	125°C / 40°C continuous	130°C / 25°C standby	150°C / 40°C standby	163°C / 27°C standby	105°C / 40°C continuous	80°C / 40°C continuous
Nominal Rating(Kva)	13.50		14	14.50	12.30	10.80
Nominal Rating(KW)	13.50		14	14.50	12.30	10.80
Efficiency 100%	81.10		81	81.10	81.30	81.20

-ELECTRICAL CHARACTERISTICS-

Voltage regulation at established rating (+/- %)	1
Insulation class	H
T° class (H/125°), continuous 40°C	H / 125°K
T° class (H/163°C), standby 27°C	H / 163°K
Wave form : NEMA=TIF	<45
Unbalanced load acceptance ratio (%)	100
Number of wires	12
Total Harmonic Distortion in no-load DHT (%)	3,6
Wave form : CEI=FHT	<2
Total Harmonic Distortion, on linear load DHT (%)	2,0
Technology	Brushless
L-L Harmonic Maximum - Single (%)	<3
Deviation Factor (%)	6
Shaft Current	<80

Reactances

Direct axis synchro reactance unsaturated (Xd) (%)	115.70
Direct axis transient reactance saturated (X'd) (%)	18.40
Direct axis subtransient reactance saturated (X''d) (%)	10.50
Quadra axis synchro reactance unsaturated (Xq) (%)	62.40
Quadra axis subtransient reactance saturated (X''q) (%)	24.10
Zero sequence reactance unsaturated (Xo) (%)	2.60
Negative sequence reactance saturated (X2) (%)	15.80

Short circuit ratio

DATASHEET ALTERNATOR

Alternator ref. KH00404T
Alternator type KH00404TO4N

KOHLER[®]

Short circuit ratio (Kcc)	1.02
Reactance desaturation coef	1.20
Exciter time constant (Te)	0.0310
Subtransient time constant (T''d) (ms)	14
Short circuit transient time constant (T'd) (ms)	44
Open circuit time constant (T'do) (ms)	850
Subtransient time constant (T''q) (ms)	10
Leakage stator reactance (Xa)(%)	2.80
Stator Resistance (Ra)(%)	0.0620
Armature time constant (Ta) (ms)	12
No load excitation current (io) (A)	0.60
Full load excitation current (ic) (A)	2.50
Full load excitation voltage (uc) (V)	26.10
Heat rejection (W)	3146
No load losses (W)	604.78
Stator resistance (for 20°C ambient) (Ω)	0.1980
Rotor resistance (for 20°C ambient) (Ω)	1.3960
Exciter resistance - stator/inductor (for 20° ambient) (Ω)	10.60
Exciter resistance - rotor/armature (for 20° ambient) (Ω)	0.4170
Recovery time (Delta U = 20% transient) (ms)	200
Engine start (Delta U = 20% perm. or 30% trans.) (kVA)	47.20
Transient dip (4/4 load) - PF : 0,8 AR (%)	11.70

Additional electrical characteristics-

-MECHANICAL CHARACTERISTICS-

Number of bearing	1
Overspeed (rpm)	2250
Coupling	Direct

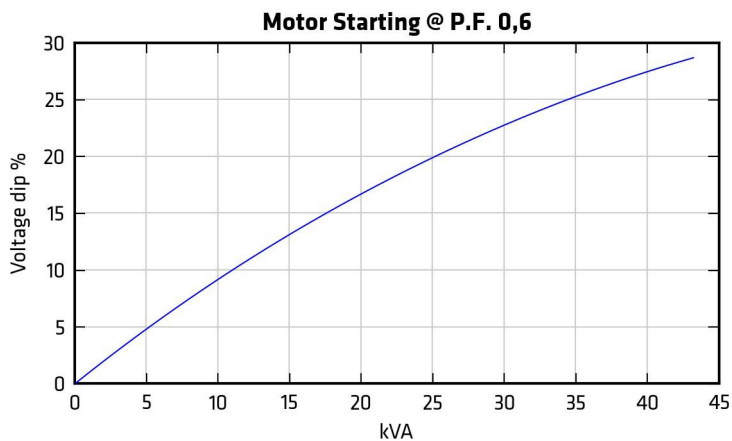
DATASHEET ALTERNATOR

Alternator ref. KH00404T
Alternator type KH00404TO4N

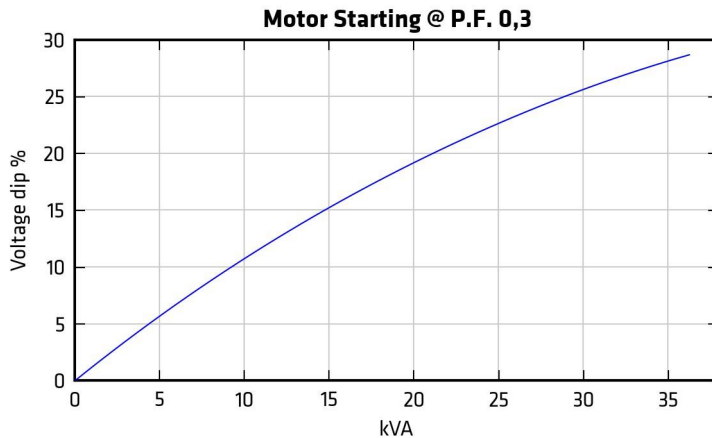


-TECHNICAL CURVES-

Motor starting curve locked rotor (0,6PF)



Motor starting curve locked rotor (0,3PF)

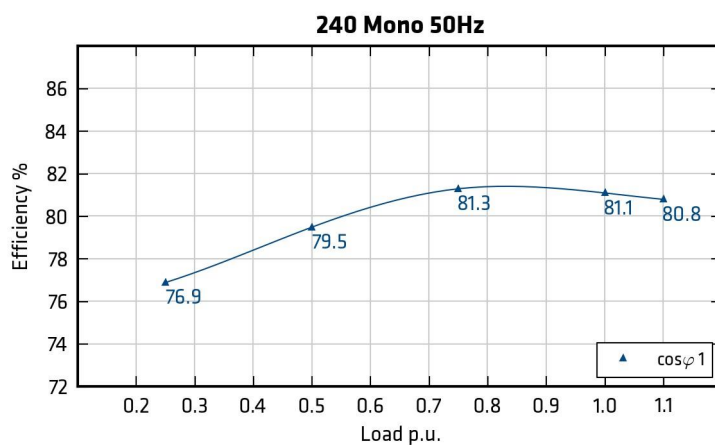


DATASHEET ALTERNATOR

Alternator ref. KH00404T
Alternator type KH00404TO4N



Efficiencies curve (by excitation system)



Loading curve (by excitation system)

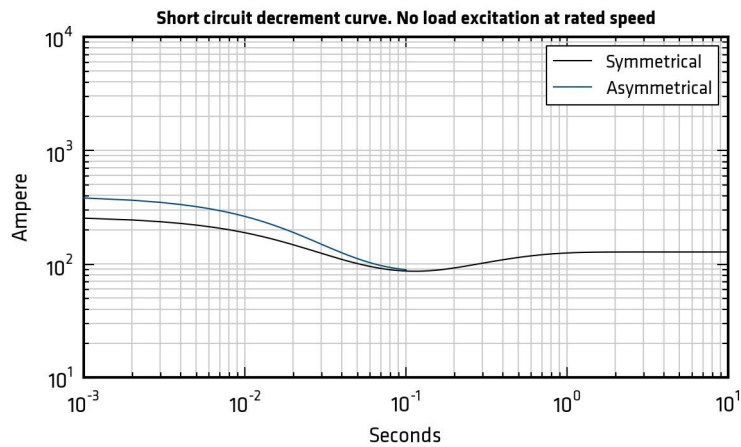


DATASHEET ALTERNATOR

Alternator ref. KH00404T
Alternator type KH00404TO4N

KOHLER[®]

Short circuit curve at no load and rated speed



Influence due to connection

Curves shown are for star (Y) connection

For other connections, use the following multiplication factors :

- Series to Parallel star : current value x 2
- Series to Series delta : current value x 1.72
- Series star to Parallel delta : current value x 3.44

Influence due to short-circuit

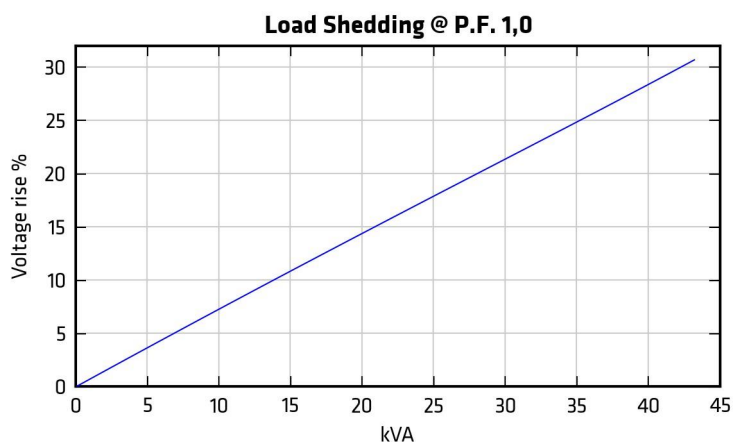
The indicated coefficient have to be used to correct the three phase short circuit curves values as a function of the type of short circuit voltage.

DATASHEET ALTERNATOR

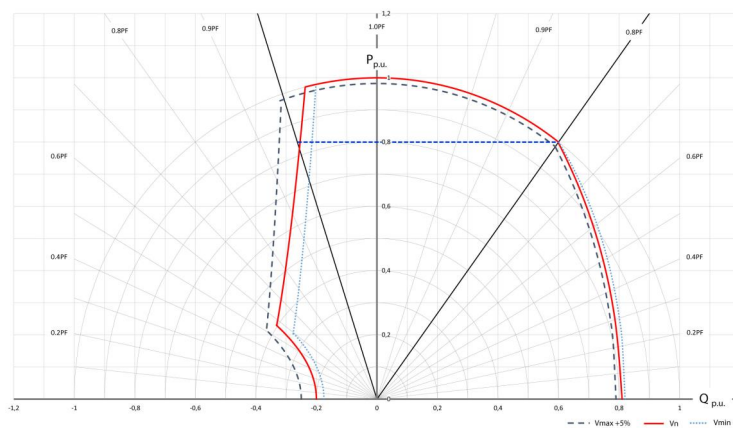
Alternator ref. KH00404T
Alternator type KH00404TO4N



Rejection curve (by excitation system)



Capability curve (PQ diagram)



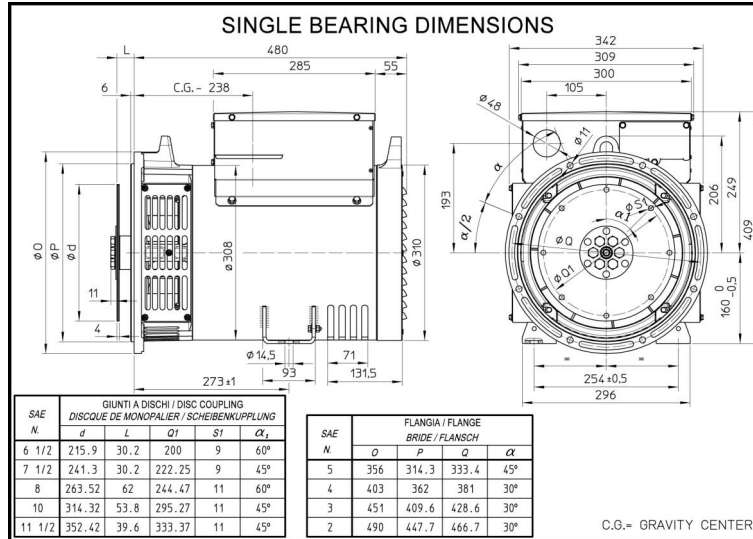
DATASHEET ALTERNATOR

Alternator ref. KH00404T
 Alternator type KH00404TO4N



DIMENSIONS-

Overall dimension drawing (Single bearing)



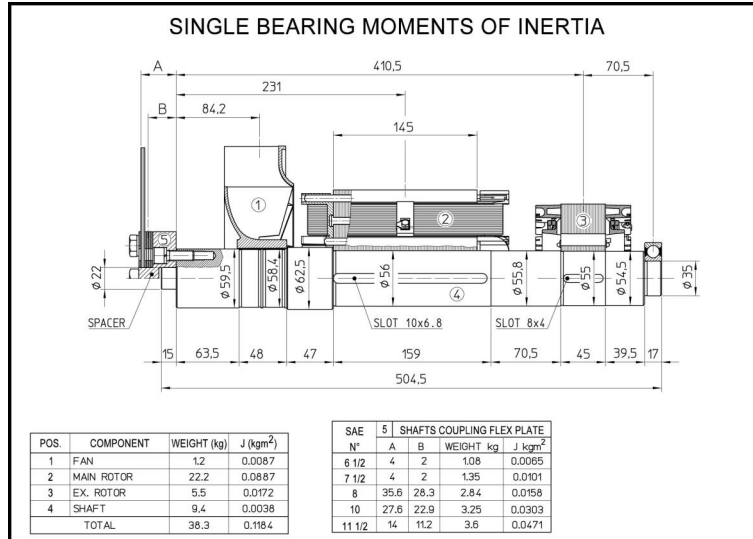
DATASHEET ALTERNATOR

Alternator ref. KH00404T
 Alternator type KH00404TO4N



-TORSIONAL ANALYSIS DATA-

Rotation part drawing for torsional vibration calculation (Single bearing)



DATASHEET ALTERNATOR

Alternator ref. KH00404T
 Alternator type KH00404TO4N



Rotation part drawing for torsional vibration calculation (Two bearings)

